

Aluminum High Capacity Single Point Load Cell



FEATURES

- Capacities 50 - 1500kg
- Aluminum construction
- Single point 800 x 800mm platform
- OIML R60 and NTEP approved
- IP65 protection
- Available with metric and UNC threads

OPTIONAL FEATURES

- EEx ia IIC T4 hazardous area approval
- FM approval available
- IP67 option available

DESCRIPTION

Model 1250 is a single point load cell designed for direct mounting of large platforms.

The product is a cost-effective load cell for use on counting, weighing, bench or floor scale products.

This high accuracy load cell is approved to OIML R60, NTEP and other stringent approval standards. Suitable for use in hazardous environments, these load cells can be provided with European approval to

EEx ia IIC T4 and are FM approved to class I, II, III, Division I.

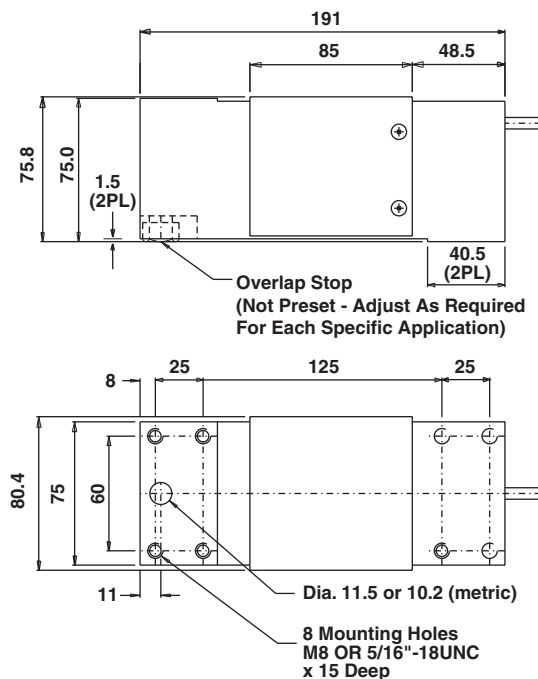
A special humidity-resistant protective coating assures longterm stability over the entire compensated temperature range.

The two additional sense wires, sample the bridge supply voltage at the load cell. Complete compensation of change on the in the lead wires resistance, due to temperature change and/or cable extension, is achieved by feeding this voltage into the appropriate electronics.

APPLICATIONS

- Large platform scales
- Hanging scales
- Check weighing

OUTLINE DIMENSIONS in mm

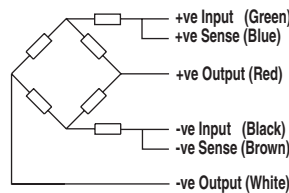


SPECIFICATIONS

PARAMETER	VALUE			UNIT
Rated capacity-R.C. (E_{max})	50, 75, 100 , 150, 200, 250, 300, 500, 635, 750, 1000, 1500			kg
NTEP/OIML Accuracy class	NTEP	Non-Approved	C3*	
Maximum no. of intervals (n)	5000 single	1000	3000	
$Y = E_{max}/V_{min}$	10000	1400	10000	Max. available 10000
Rated output-R.O.	2.0			mV/V
Rated output tolerance	0.2			±mV/V
Zero balance	0.2			±mV/V
Zero Return, 30 min.	0.0250	0.0300	0.0170	±% of applied load
Total Error (per OIML R60)	0.0200	0.0500	0.0200	±% of rated output
Temperature effect on zero	0.0023	0.0100	0.0023	±% of rated output/°C
Temperature effect on output	0.0010	0.0030	0.0010	±% of applied load/°C
Eccentric loading error	0.0033	0.0050	0.0033	±% of rated load/cm
Temperature range, compensated	-10 to +40			°C
Temperature range, safe	-20 to +70			°C
Maximum safe central overload	150			% of R.C.
Ultimate central overload	300			% of R.C.
Excitation, recommended	10			Vdc or Vac rms
Excitation, maximum	15			Vdc or Vac rms
Input impedance	415±15			Ohms
Output impedance	350±3			Ohms
Insulation resistance	>2000			Mega-Ohms
Cable length	3.0			m
Cable type	6 wire, braided, Polyurethane, floating screen			Standard
Construction	Plated (anodized) Aluminum			
Environmental protection	IP65**			
Platform size (max)	800 x 800***			mm
Recommended torque	Up to 1000kg: 16.0 1500kg 32.0			N*m

- * 50% utilization
3500 divisions also available
- ** Available also in IP67
- *** 635 to 1500kg capacities: platform size 600 x 600mm

Wiring Schematic Diagram



**BALANCED TEMPERATURE
COMPENSATION**

Disclaimer

All product specifications and data are subject to change without notice.

Vishay Precision Group, Inc., its affiliates, agents, and employees, and all persons acting on its or their behalf (collectively, "Vishay Precision Group"), disclaim any and all liability for any errors, inaccuracies or incompleteness contained herein or in any other disclosure relating to any product.

Vishay Precision Group disclaims any and all liability arising out of the use or application of any product described herein or of any information provided herein to the maximum extent permitted by law. The product specifications do not expand or otherwise modify Vishay Precision Group's terms and conditions of purchase, including but not limited to the warranty expressed therein, which apply to these products.

No license, express or implied, by estoppel or otherwise, to any intellectual property rights is granted by this document or by any conduct of Vishay Precision Group.

The products shown herein are not designed for use in medical, life-saving, or life-sustaining applications unless otherwise expressly indicated. Customers using or selling Vishay Precision Group products not expressly indicated for use in such applications do so entirely at their own risk and agree to fully indemnify Vishay Precision Group for any damages arising or resulting from such use or sale. Please contact authorized Vishay Precision Group personnel to obtain written terms and conditions regarding products designed for such applications.

Product names and markings noted herein may be trademarks of their respective owners.